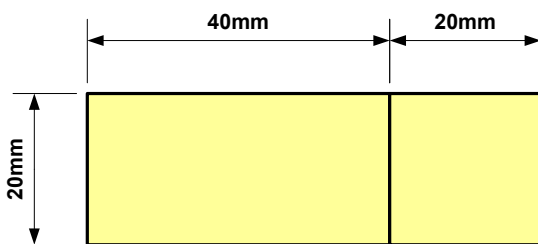


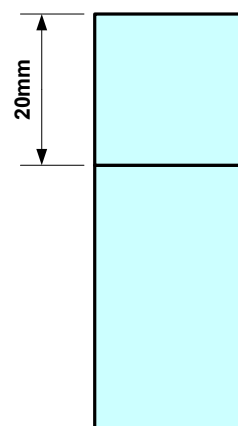
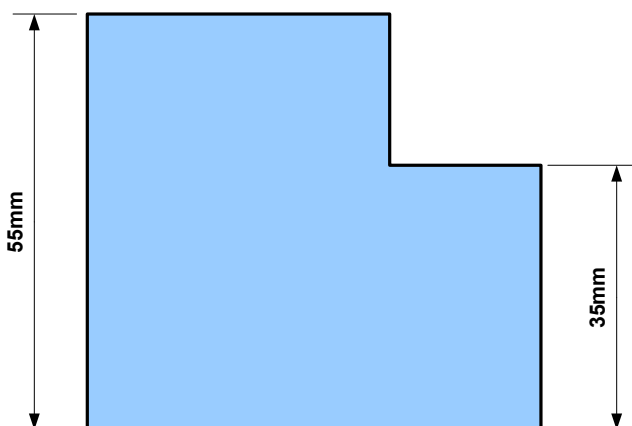
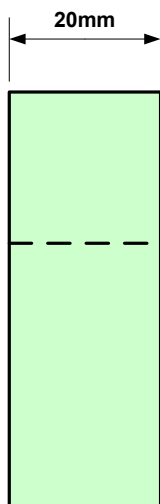
This picture is an isometric elevation of a shape.

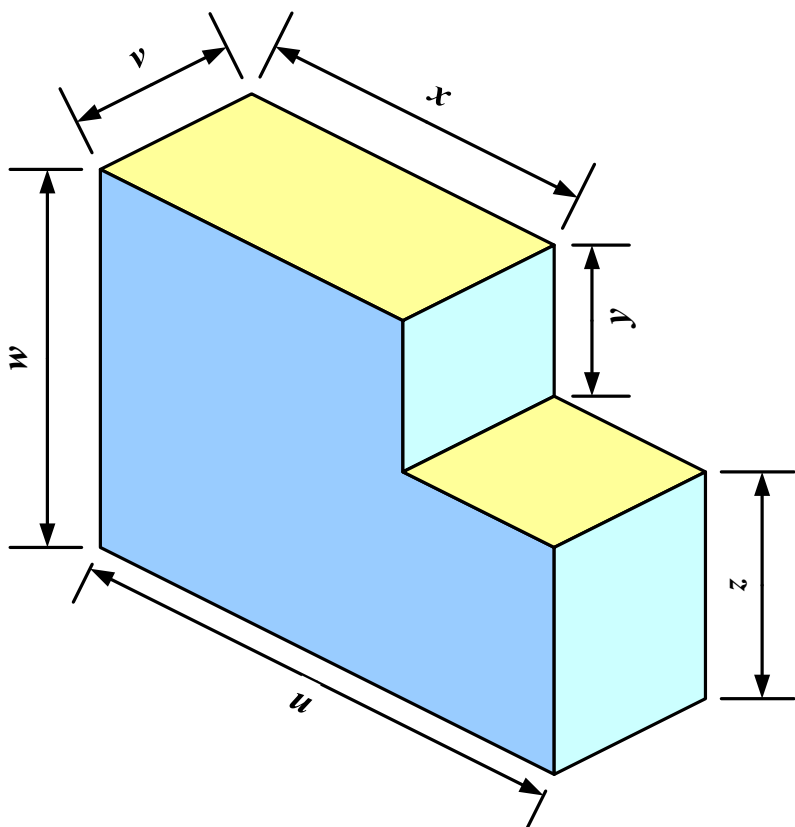
The drawing below is the orthographic projection of the isometric projection shown on the left.

Can you decipher the length of each line using the projections shown?



This picture is an orthographic elevation of the same shape.





Build an expression for each of the letters shown on the isometric elevation.

Can you work out an expression for the:

- 1 length of the edges;
- 2 surface area;
- 3 volume of the shape?

